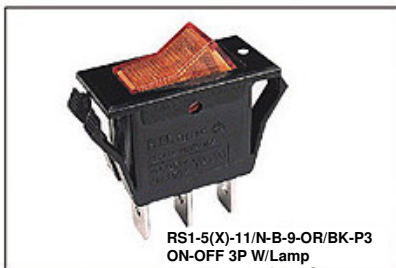


Rocker Switch (RS1-5 (W)/(X) Series)



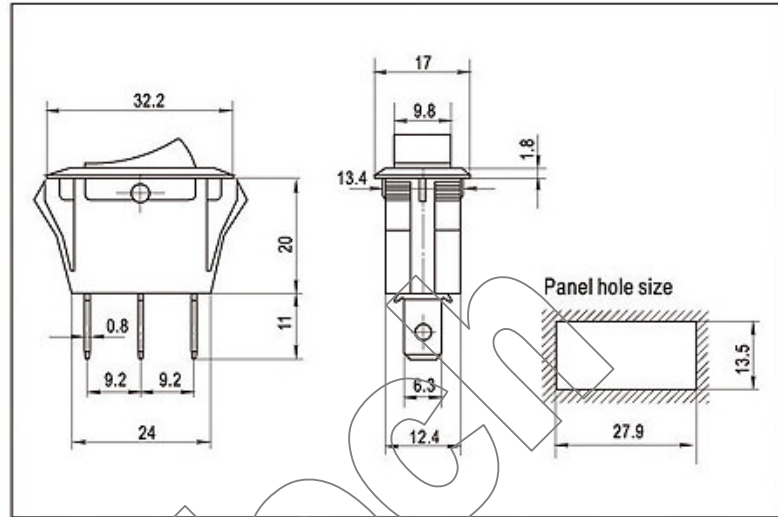
RS1-5 (W)



RS1-5 (X)

SPECIFICATIONS

10 (4) A 250VAC T85
16 (4) A 250VAC T125/55 1E4
15A 125VAC / 7.5A 250VAC
ROHS Compliance



EXPLANATION MODEL NUMBER

RS1-5(W) - 11/N - C - 2 - RE/BK - P3 ... (2)

